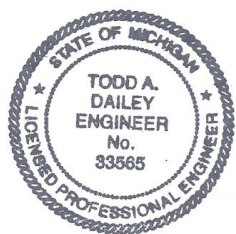




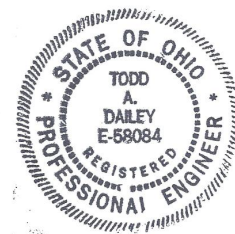
Before using this **HOG LEG®**, study and understand
entire Owner's Manual and Standard Practice for
Bracing Masonry Walls Under Construction.

Serial Number _____



Todd Dailey

HOG LEG®



Todd Dailey



Wall Bracing

Owner's Manual

Rev. No. 014

01/01/2014-Present



Hog Leg®
EZG Manufacturing
1-800-417-9272

EZG Manufacturing
1833 N. Riverview Road
Malta, Ohio 45758
(740) 749-5849 or 1-800-417-9272
Fax (740) 962-2037 www.ezgrout.com

Table of Contents

Introduction.....	1
About this Manual.....	1
General Information.....	1
Safety Information.....	1
Safety Precautions.....	2
Kit Overview.....	3
Kit Overview.....	4
Kit Overview.....	5
Installation Instructions.....	6
Installation Instructions.....	7
Spacing of Braces.....	8
Installation of Hog Leg Without Kicker.....	9
Installation of Hog Leg With Kicker.....	10
Installation of Hog Leg With Guide Wires.....	11
Warranty.....	12
Warranty Registration.....	13
Installation Height Charts.....	14-17



Hog Leg[®]
EZG Manufacturing
1-800-417-9272

Introduction

Congratulations on purchasing one of the finest pieces of masonry equipment on the market today! If this is your first EZG Manufacturing product, you will not be disappointed. If you have previously owned an EZG Manufacturing product you will find the same high quality and dependability that you have come to expect from EZG Manufacturing.

About this Manual

The purpose of this manual is to inform the owner, employer, and the operators of the equipment, how to safely use this equipment, and make them aware of any hazards. It also contains important information regarding assembly, set up, use, and maintenance. It is the owner/employer's responsibility to make sure that anyone who uses this equipment understands all safety warnings. If you do not understand any items in this manual, please contact the dealer where this product was purchased or the manufacturer at the number listed throughout the manual. If you have any suggestions about how to make this manual easier to understand, contact the manufacturer. Keep this manual available for reference wherever this equipment is being used and make it available to any installers or operators.

General Information

Continuing improvements to the design of this kit may have caused changes that are not reflected in this manual. The information in this document is subject to change without notice.

Safety Information

The following safety symbols and signal words will be used throughout this manual and on the product. For your safety and the safety of others, please become familiar with their meaning and heed their warnings.



This symbol, either used alone or with a signal word, is used to call your attention to instructions involving your safety and/or the safety of others. Failure to follow these instructions could result in personal injury or death.



DANGER

This signal word is used to identify a hazard which, if not avoided, will result in death or serious injury.



WARNING

This signal word is used to identify a hazard which, if not avoided, could result in death or serious injury



CAUTION

This signal word is used to identify a hazard which, if not avoided, could result in minor or moderate injury.

NOTICE

This signal word is used to identify a hazard which, if not avoided, could result in property or equipment damage. It also may be used for special instructions related to performance, maintenance or general items.



Hog Leg®
EZG Manufacturing
1-800-417-9272

Safety Precautions

NOTICE

“Information shown in this manual is subject to change without notice. Any and all changes are at the authors discretion. Current manual revisions supersede previous revisions. Contact EZG Manufacturing for current revisions to manual.”



WARNING

Read and understand entire manual before installing or operating any EZG Manufacturing product. Failure to obey the following safety instructions could result in DEATH or SERIOUS INJURY.

For your safety and the safety of others, replace any missing or damaged warning decals by contacting the manufacturer at 1-800-417-9272.

Make sure anyone installing or using the system is thoroughly familiar with its operation. Keep all unauthorized and untrained personnel, especially children, away from the equipment.

The **Hog Leg®** Wall Brace System is designed to brace a masonry wall built in accordance with the Standard Practice for Bracing Masonry Walls Under Construction. A minimum of two (2) braces per wall panel are required, located 20% of wall length from each end of the panel. Wall panels are to be a maximum of 25'-0" long. Bracing requirements differ for reinforced and unreinforced walls, as well as the amount of reinforcement installed in each wall. Bracing requirements also differ based upon current and predicted maximum wind speeds until final structural connections are in place. **Note that the information shown in this manual is designed to support reinforced masonry walls during the intermediate period of construction.** For information on bracing unreinforced walls or for criteria for the initial period of construction, refer to the latest addition of Standard Practice for Bracing Masonry Walls Under Construction or contact a licensed Professional Engineer familiar with local and national codes.

The **Hog Leg®** Wall Brace is to be installed by trained employees under the supervision of a competent person.

All parts should be inspected before installation; any worn, damaged, or corroded parts should be taken out of service immediately and replaced.

Do not alter any part of the **Hog Leg®**.



Warning: This manual should be used as a reference for bracing, but not for final design. Before attempting to brace any wall, consult the latest edition of Standard Practice for Bracing Masonry Walls Under Construction, OSHA, or a local licensed Professional Engineer.



Warning: Minimum of 10" of overlap required on **Hog Leg®** Extension connection.



Warning: Restricted Access Zones must be established during the construction of masonry walls, as well as after wall bracing has been installed. These zones must be maintained by all trades until permanent supporting elements of the structure are in place. All employees working around masonry walls during construction must be aware of the evacuation wind speeds to know when to evacuate these zones. These wind speeds are described in The Standard Practice for Bracing Masonry Walls Under Construction.

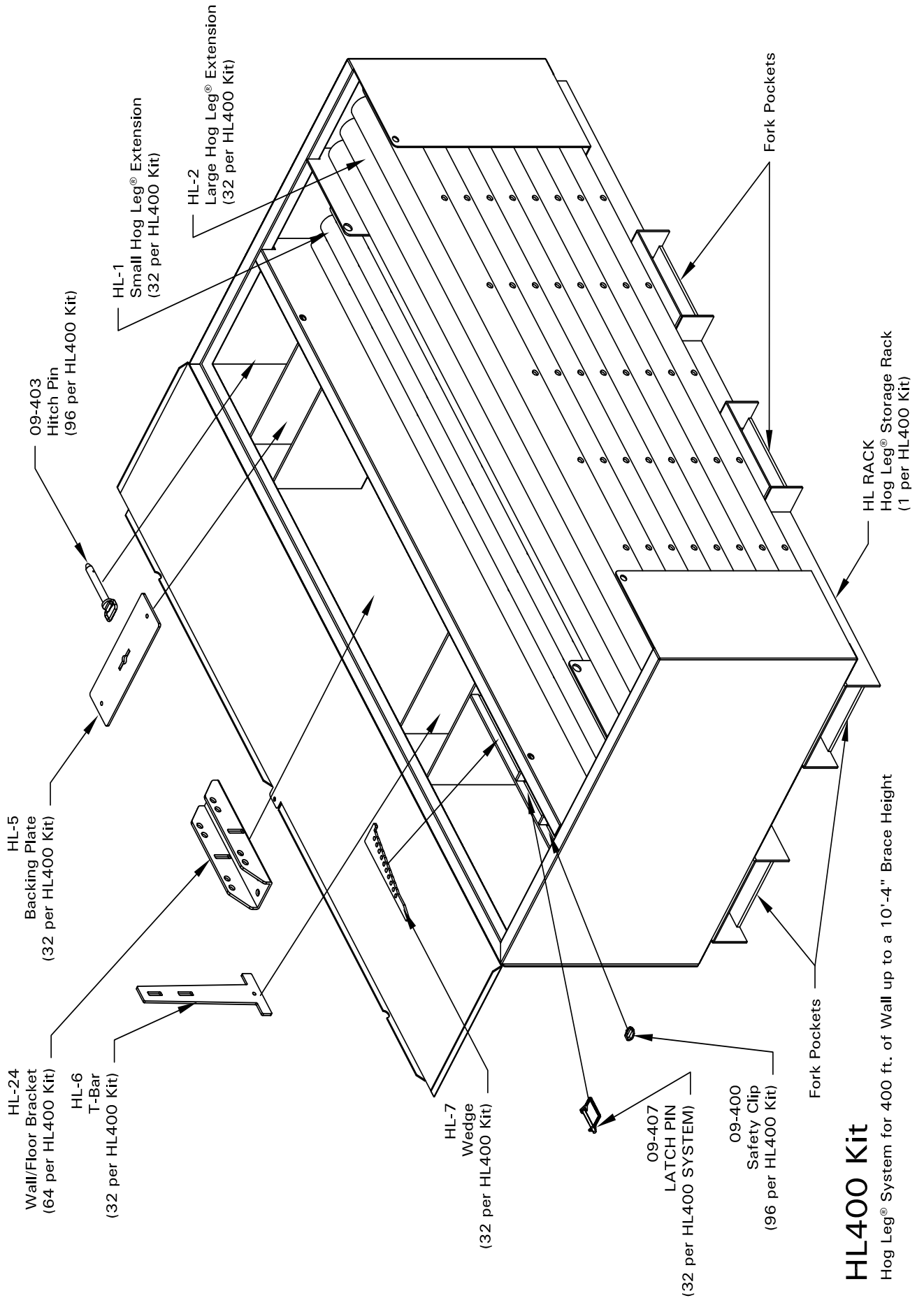
EZG Manufacturing strongly recommends grouting in 4' to 6' lifts as the walls are being laid. Low lift grouting as the walls are being laid allows for fewer braces and an overall stronger intermediate structure as described in the Standard Practice for Bracing Masonry Walls Under Construction.

The data in this manual applies to the **Hog Leg®** Wall Brace only. Wall strength between connections, floor anchoring, deadman sizing, and site conditions are the responsibility of the Contractor. EZG Manufacturing strongly encourages the use of embedded deadmen as these are less susceptible to adverse and varying site conditions.

The data within this manual was developed with the aid of professional engineers and is specifically developed for use with the Hog Leg system. For more information on the engineering firm used to help create this guide, please see the final page of this manual. EZG Manufacturing makes no implications for use with other systems and complies with the Standard Practice for Bracing Masonry Walls Under Construction under reference to Sections 1.5 (page 12) and C1.5 (page 29).



Hog Leg®
EZG Manufacturing
1-800-417-9272

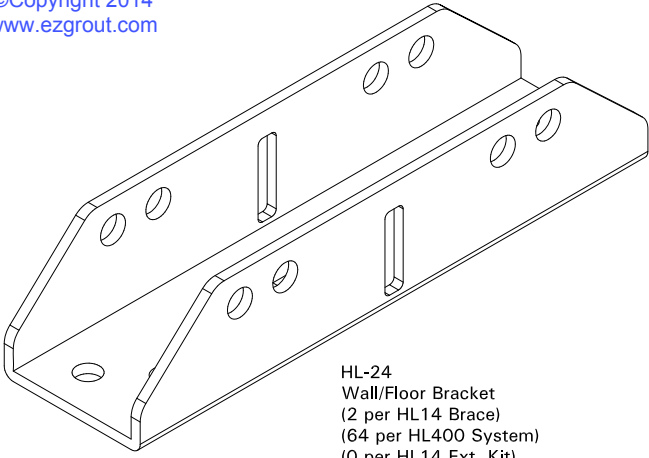


HL400 Kit

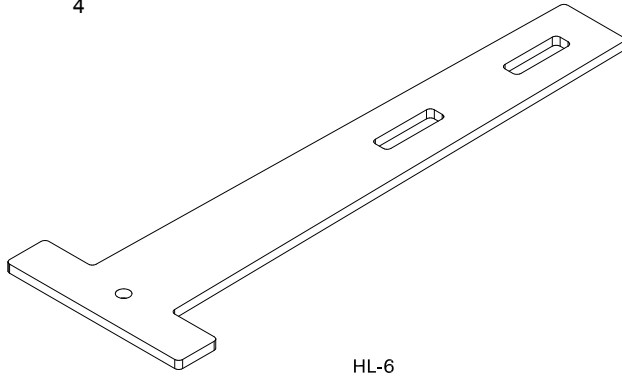
Hog Leg® System for 400 ft. of Wall up to a 10'-4" Brace Height



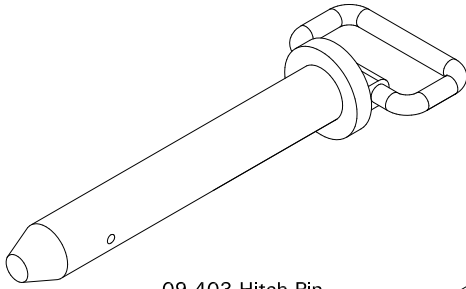
Hog Leg®
EZG Manufacturing
1-800-417-9272



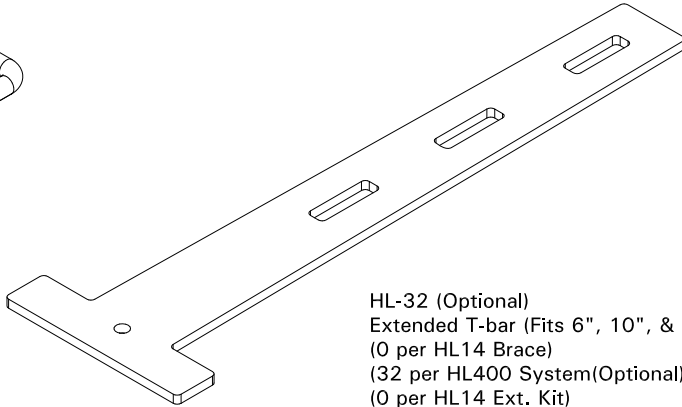
HL-24
Wall/Floor Bracket
(2 per HL14 Brace)
(64 per HL400 System)
(0 per HL14 Ext. Kit)



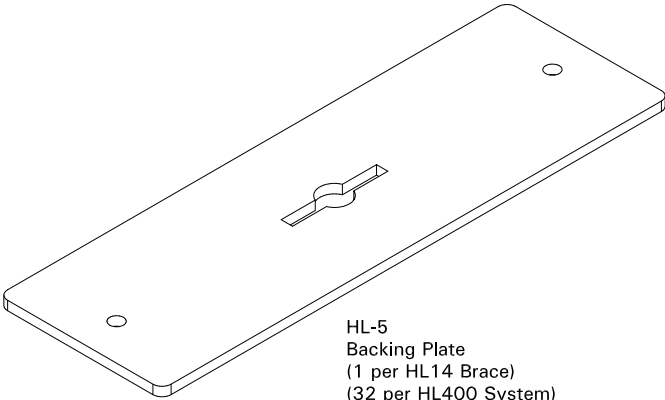
HL-6
T-Bar
(1 per HL14 Brace)
(32 per HL400 System)
(0 per HL14 Ext. Kit)



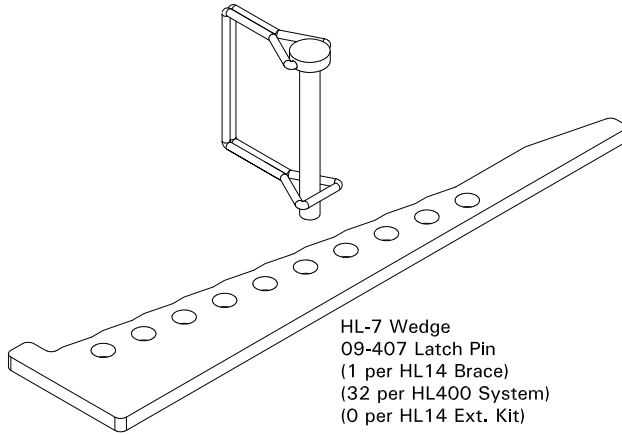
09-403 Hitch Pin
09-400 Safety Clip
(3 per HL14 Brace)
(96 per HL400 System)
(32 per HL14 Ext. Kit)



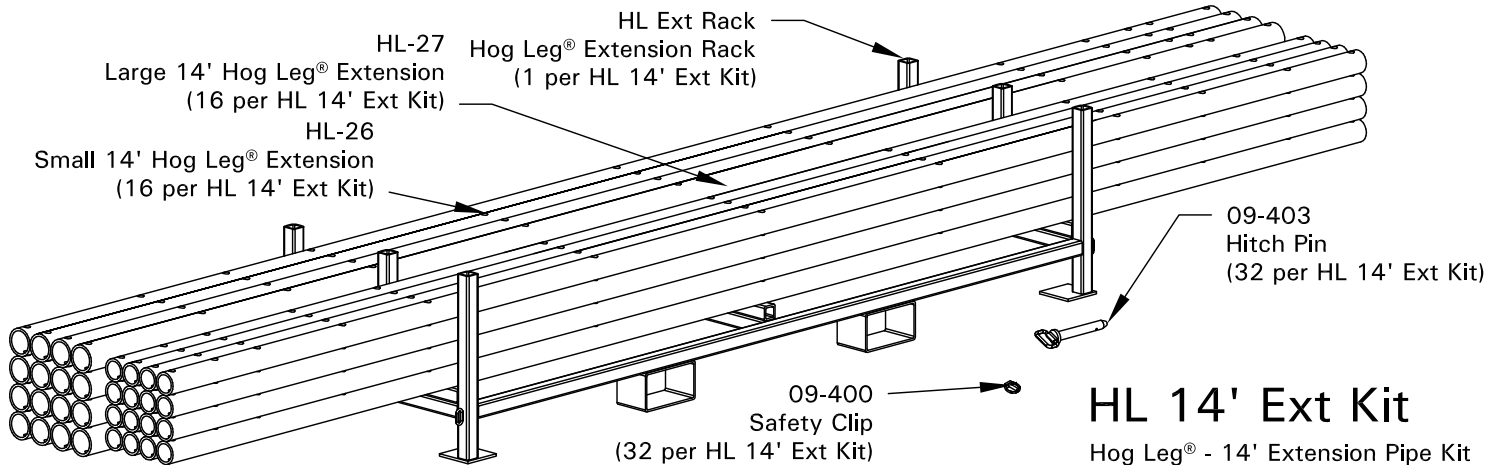
HL-32 (Optional)
Extended T-bar (Fits 6", 10", & 14")
(0 per HL14 Brace)
(32 per HL400 System(Optional))
(0 per HL14 Ext. Kit)



HL-5
Backing Plate
(1 per HL14 Brace)
(32 per HL400 System)
(0 per HL14 Ext. Kit)



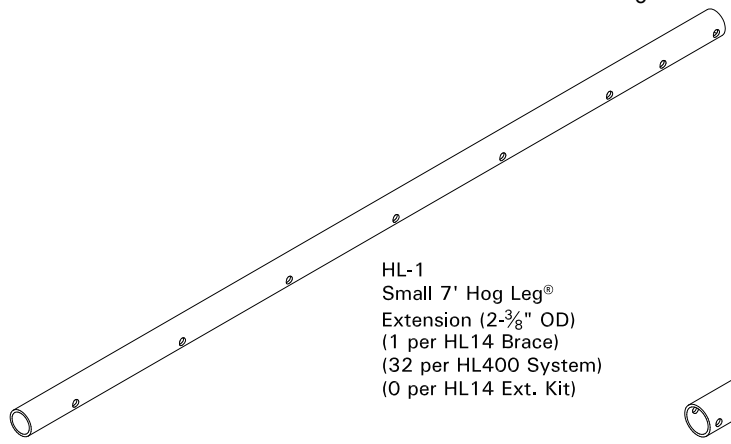
HL-7 Wedge
09-407 Latch Pin
(1 per HL14 Brace)
(32 per HL400 System)
(0 per HL14 Ext. Kit)



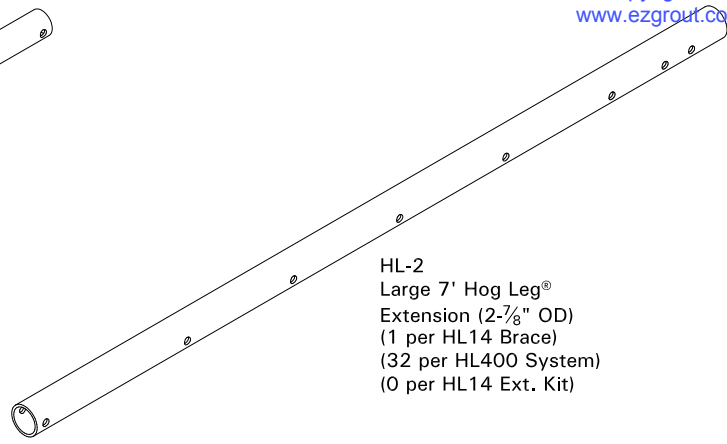
HL 14' Ext Kit
Hog Leg® - 14' Extension Pipe Kit



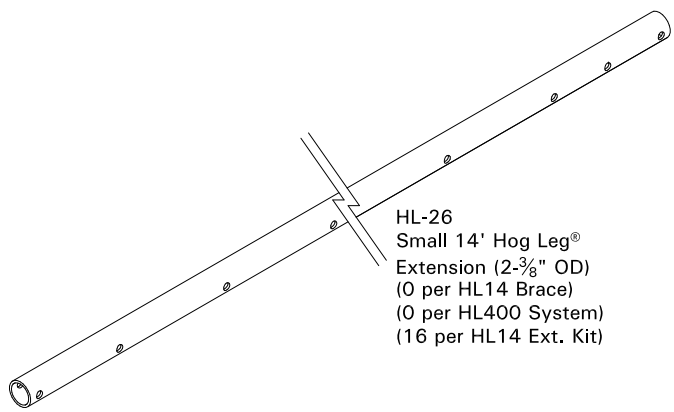
Hog Leg®
EZG Manufacturing
1-800-417-9272



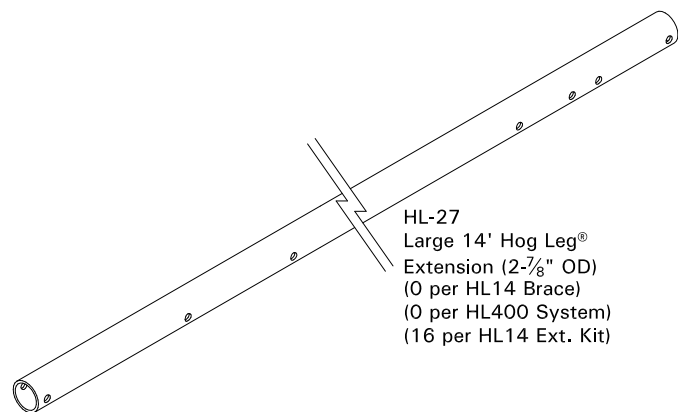
HL-1
Small 7' Hog Leg®
Extension (2-3/8" OD)
(1 per HL14 Brace)
(32 per HL400 System)
(0 per HL14 Ext. Kit)



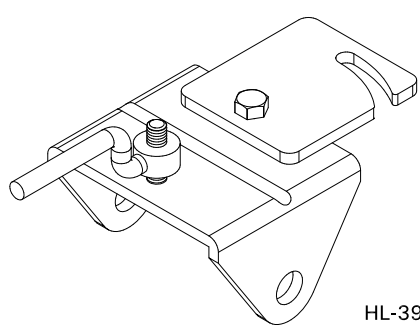
HL-2
Large 7' Hog Leg®
Extension (2-7/8" OD)
(1 per HL14 Brace)
(32 per HL400 System)
(0 per HL14 Ext. Kit)



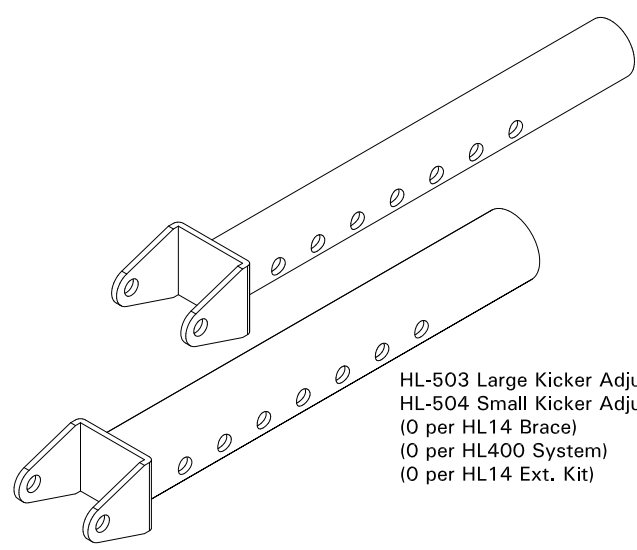
HL-26
Small 14' Hog Leg®
Extension (2-3/8" OD)
(0 per HL14 Brace)
(0 per HL400 System)
(16 per HL14 Ext. Kit)



HL-27
Large 14' Hog Leg®
Extension (2-7/8" OD)
(0 per HL14 Brace)
(0 per HL400 System)
(16 per HL14 Ext. Kit)



HL-39
Guide Wire Bracket
(0 per HL14 Brace)
(0 per HL400 System)
(0 per HL14 Ext. Kit)



HL-503 Large Kicker Adjustment Pipe
HL-504 Small Kicker Adjustment Pipe
(0 per HL14 Brace)
(0 per HL400 System)
(0 per HL14 Ext. Kit)



Installation of a Hog Leg®

The **Hog Leg®** Wall Brace System is designed to be constructed in sections starting from the Wall Bracket and working down to the floor anchor. Install each **Hog Leg®** Extension individually. *Do not put Hog Leg® Extensions together before installing to Wall or Floor Bracket.*

Wall Bracket Installation (Detail A): The **Hog Leg®** Wall Connection Bracket is designed to be placed as the wall is constructed.

The following illustration is a guideline for installation of the Hog Leg® Wall Brace.

1) Determine the required bracing as defined by national and local codes. If not familiar with these codes consult a licensed Professional Engineer in your area to interpret the bracing standards and recommend a bracing plan.

2) As the masonry wall is being laid, install the Backing Plate (HL-5) against wall and slide T-bar (HL-6) through the backing plate and the head joint of the block. Then slide the Wall Bracket (HL-24) over the T-bar on the other side as shown in **Detail A**. Drive the Wedge (HL-7) through the T-bar until it tightens the Backing Plate and Wall Bracket against the sides of the wall. Install the Latch Pin (09-407) through the Wedge as close to the T-bar as possible.

Wall Bracket Installation (Detail A Optional): Though it is recommended for ease of installation to use the Hog Leg® T-Bar and Wedge to install the Wall Bracket to the wall, a 3/4" All Thread Rod can be used if desired.

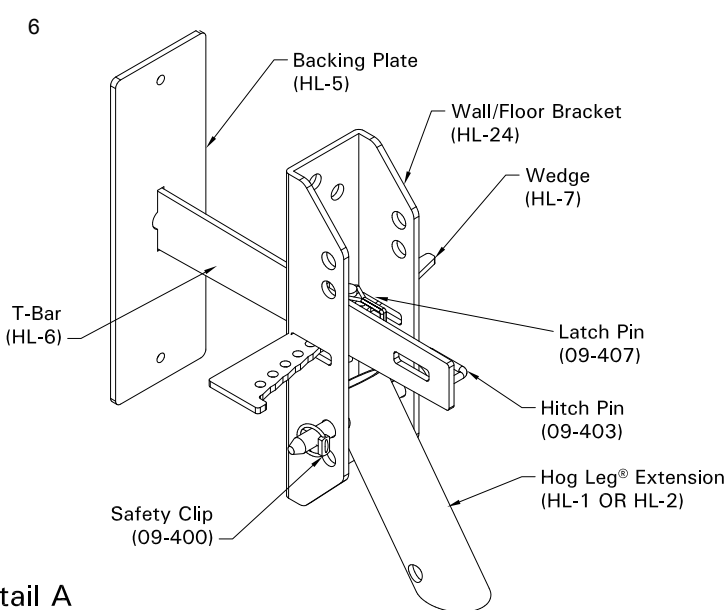
1) Determine the required bracing as defined by national and local codes. If not familiar with these codes consult a licensed Professional Engineer in your area to interpret the bracing standards and recommend a bracing plan.

2) As the masonry wall is being laid, notch the corner of the block were the brace is to be installed to allow clearance to slide the All Thread Rod through.

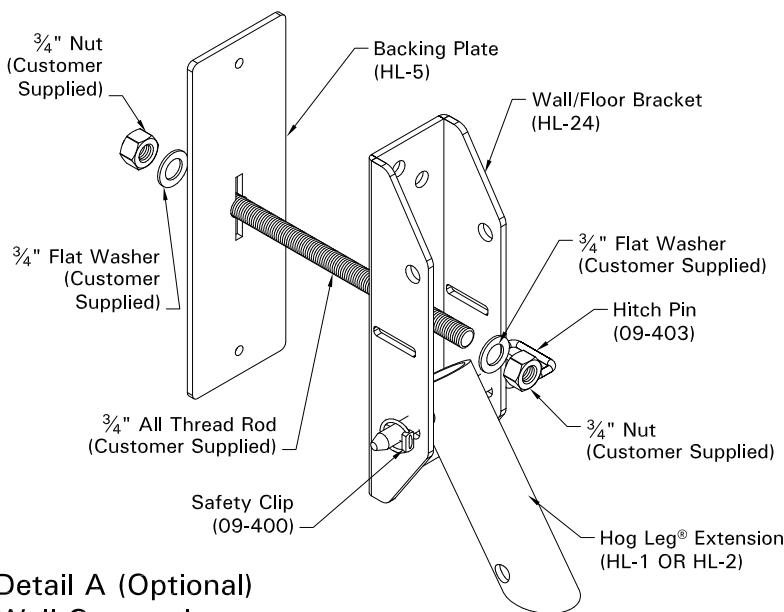
3) Install the Backing Plate (HL-5) against wall and slide the All Thread Rod (Customer Supplied) through the backing plate and the notched head joint of the block. Then slide the Wall Bracket (HL-24) over the All Thread Rod on the other side as shown in **Detail A (Optional)**. Tighten nuts on both sides of the wall. Nuts should be tightened until the Wall Bracket and the Backing Plate are snug against the wall.

Extension Installation: For ease of installation, install **Hog Leg®** Extension to Wall Bracket. Then add **Hog Leg®** Extensions until reaching proper anchor location.

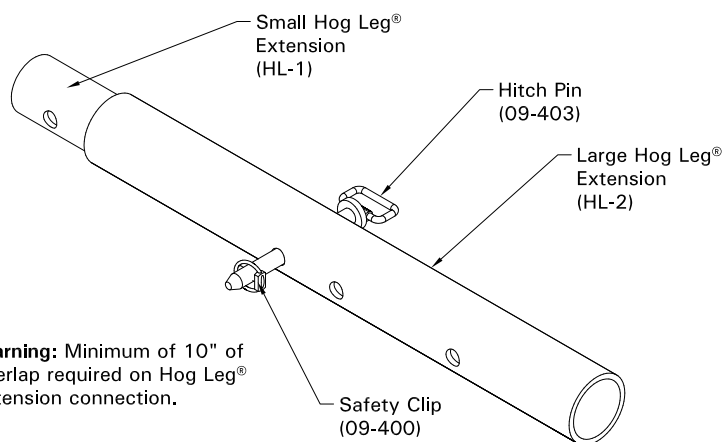
1) Align the holes in the end of the **Hog Leg®** Extension with the holes in the Wall Bracket and use the Hitch Pin (09-403) and Safety Clip (09-400) to attach as shown in **Detail A**.



Detail A
Wall Connection



Detail A (Optional)
Wall Connection



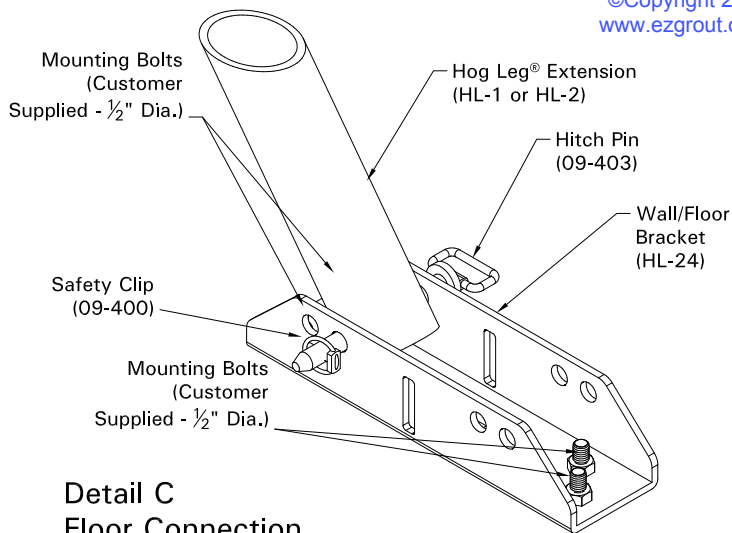
Warning: Minimum of 10" of overlap required on Hog Leg® Extension connection.

Detail B
Hog Leg® Extension Connection

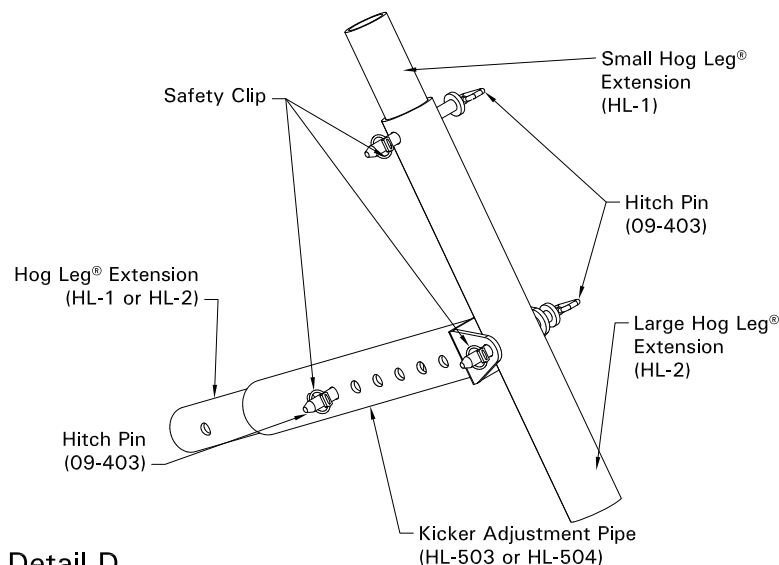


2) Make sure you alternate starting with a Small **Hog Leg®** Extension (2-3/8" OD) or a Large **Hog Leg®** Extension (2-7/8" OD) at every other brace. This will keep the amount of Extensions used equal, maximizing the amount of braces you will get from each **Hog Leg®** Wall Brace Kit.

3) Continue adding **Hog Leg®** Extensions as shown in **Detail B** until the desired length is obtained. To locate where to pour the deadman for the base of the **Hog Leg®**, take the height of the brace installation and multiply by 0.75. **Example:** Brace Height of 16 feet x 0.75 = Brace Run of 12 feet from the wall.



Detail C
Floor Connection



Detail D
Kicker Connection

CAUTION: Keep installation as close to the design guidelines shown in this manual as possible. If the brace is installed at a steeper angle or beyond 90° perpendicular to the wall, the holding power of the brace will be reduced.

4) Secure the Floor Bracket with anchors that meet all applicable standards and regulations as shown in **Detail C**. **Kicker Installation:** For extreme wind speeds (greater than 40 MPH) or requirements that exceed Standard Practice for Bracing Masonry Walls Under Construction a kicker is required, on brace lengths 22'-11" or longer. For Brace Lengths longer than 26'-3" a Kicker is required for all circumstances. For extreme wind speeds (greater than 40 MPH) or requirements that exceed Standard Practice for Bracing Masonry Walls Under Construction a Kicker and Guide Wires are required, on brace lengths 26'-3". For Brace Lengths longer than 30'-5" a Kicker and Guide Wires are required for all circumstances. The Kicker should be installed at the midpoint of the **Hog Leg®** Wall Brace. The Kicker then extends downward at a 90° angle from the **Hog Leg®** Wall Brace and mounts to the wall. To determine wall height to install kicker, refer to page 10 of this manual. For Guide Wire installation, refer to page 11 of this manual.

1) Install the Kicker Adjustment Pipe to the **Hog Leg®** by inserting the Hitch Pin through the **Hog Leg®** Extension and insert Safety Clip as shown in **Detail D**.

2) Add **Hog Leg®** Extensions as required to reach the Wall Bracket.

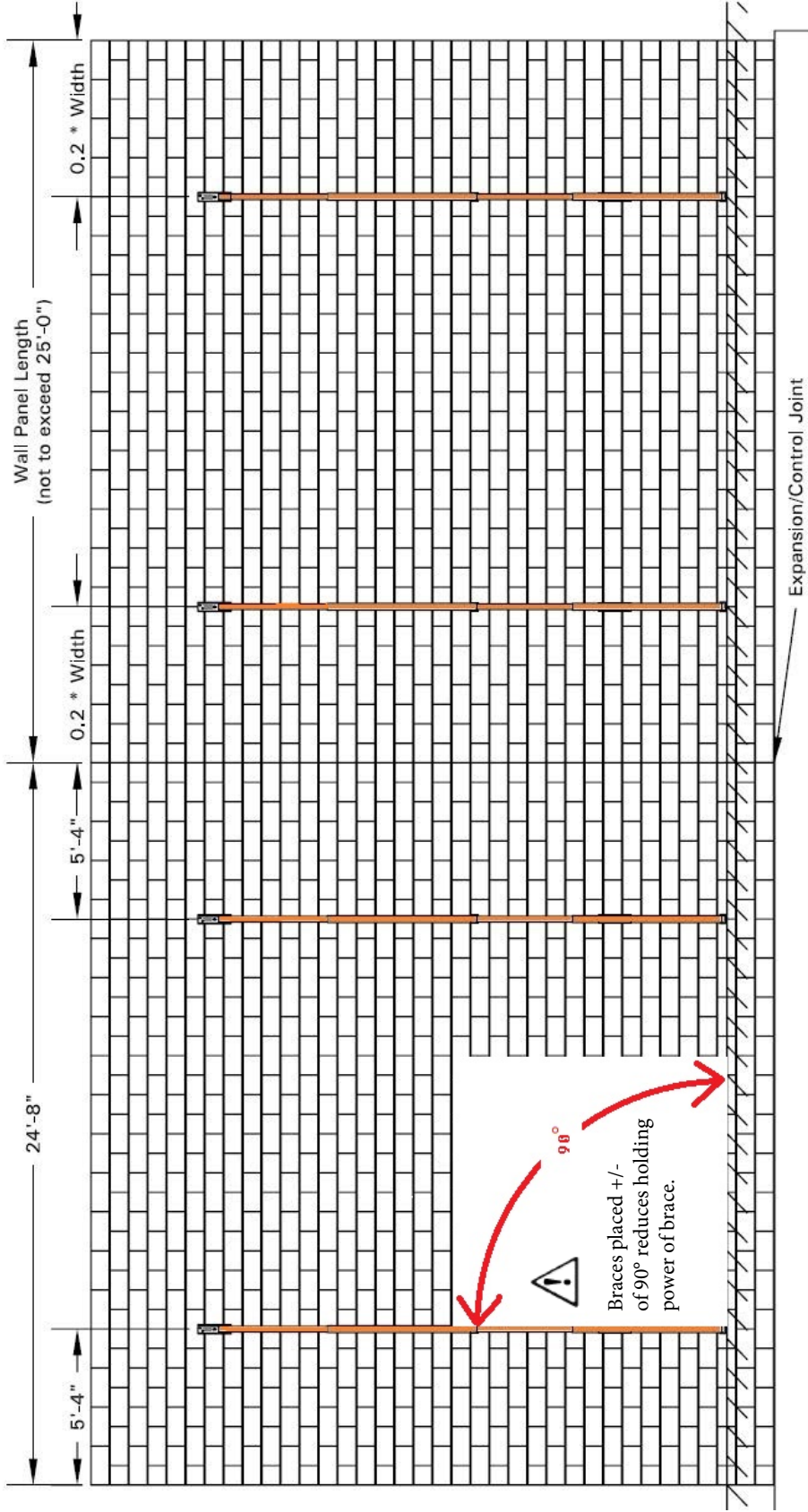
WARNING!
Warning: Minimum of 10" of overlap required on **Hog Leg®** Extension connection.

CAUTION
Pinch point.
Moving parts below. Keep fingers clear of holes.

Removal of Hog Leg® Bracing

To comply with Standard Practice for Bracing Masonry Walls Under Construction, the **Hog Leg®** Bracing System must not be removed until the wall is permanently supported. You may refer to this standard in Chapter 3 Section 3.5 of the Standard Practice for Bracing Masonry Walls Under Construction manual.

DANGER!
Falling Walls, Braces, or Components can cause severe injury or death
Moving or relieving this brace may cause serious injury or death. Consult the Structural Engineer before attempting to remove or relieve this brace or any component. Do not remove brace until all structural connections are in place. Refer to Standard Practice for Bracing Masonry Walls Under Construction.



Drawing 3: Hog Leg® Wall Brace Typical Brace Spacing

Note:

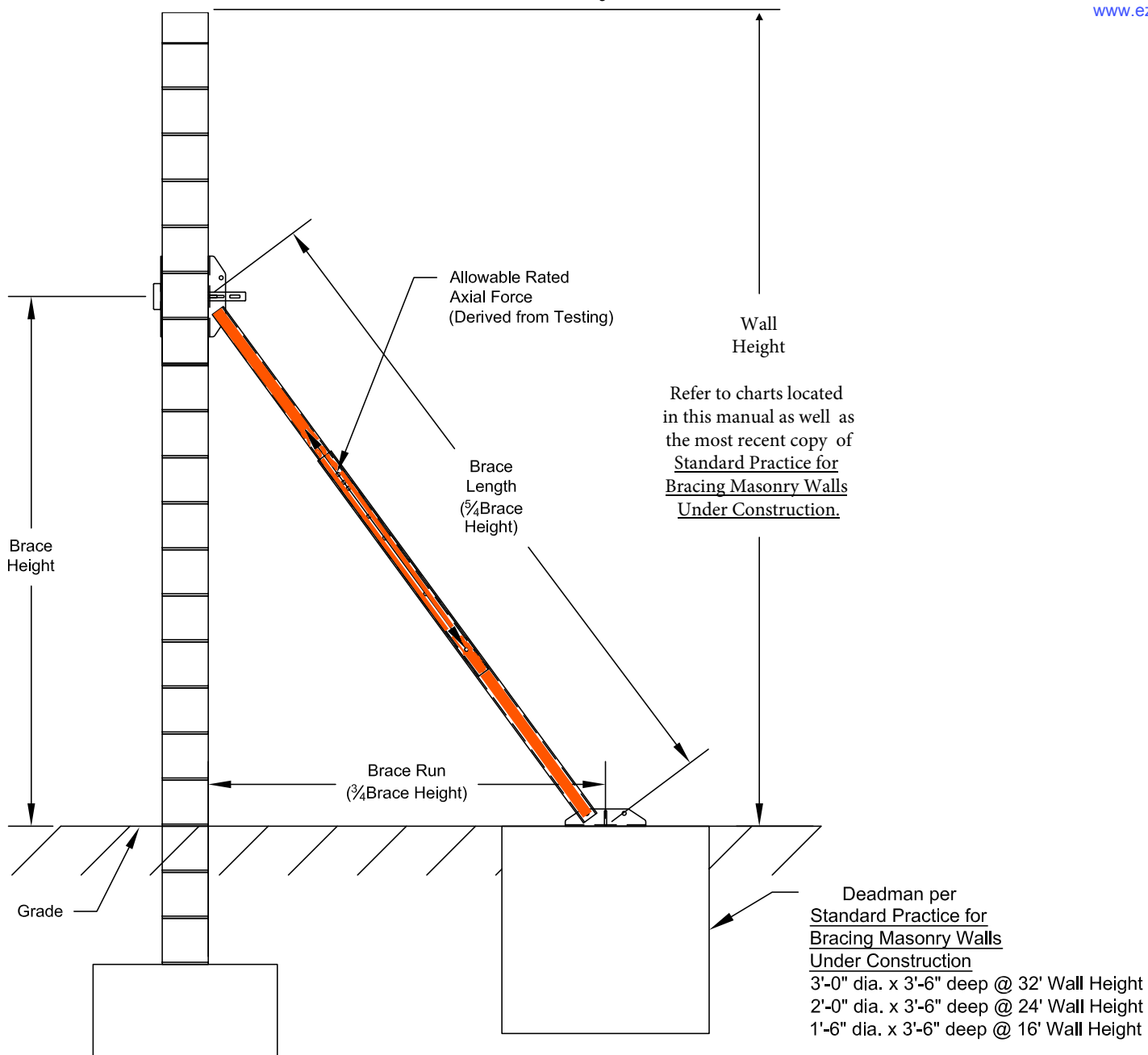
Standard Practice for Bracing Masonry Walls Under Construction requires (2) braces per wall panel for a maximum panel length of 25'-0". For panels less than 25'-0" in length, braces are to be placed 0.2 times wall length from each end. For panels longer than 25'-0" additional bracing is required.

Example:

Determine brace spacing for a wall panel 20'-0" between expansion joints.
End Spacing = 20'-0" x 0.2 = 4'-0" from each end leaving 12'-0" between braces .



CAUTION: Keep installation as close to the design guidelines shown in this manual as possible. If the brace is installed +/- 90 degrees perpendicular to the wall, the holding power of the brace will be reduced.



Drawing 1: Typical Hog Leg® Wall Brace Installation Without Kicker

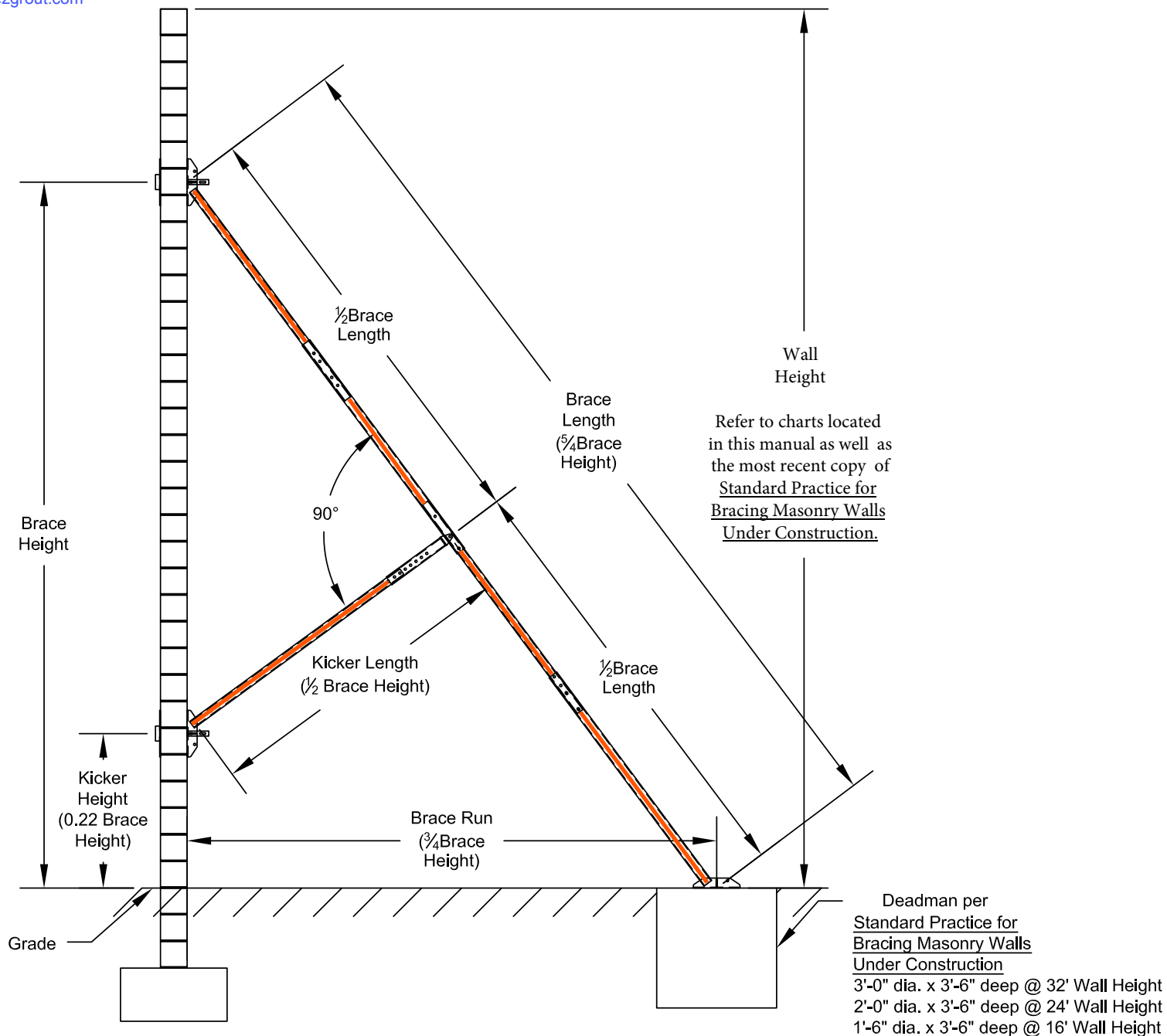
Brace Height	Brace Run	Brace Length
10'-4"	7'-9"	12'-11"
11'-0"	8'-3"	13'-9"
11'-8"	8'-9"	14'-7"
12'-4"	9'-3"	15'-5"
13'-0"	9'-9"	16'-3"
13'-8"	10'-3"	17'-1"
14'-4"	10'-9"	17'-11"
15'-0"	11'-3"	18'-9"
15'-8"	11'-9"	19'-7"
16'-4"	12'-3"	20'-5"
17'-0"	12'-9"	21'-3"
17'-8"	13'-3"	22'-1"

Brace Height	Brace Run	Brace Length
18'-4"	13'-9"	22'-11"
19'-0"	14'-3"	23'-9"
19'-8"	14'-9"	24'-7"
20'-4"	15'-3"	25'-5"
21'-0"	15'-9"	26'-3"

Warning: For Brace Lengths longer than 26'-3" a Kicker is required.

21'-8"	16'-3"	27'-1"
22'-4"	16'-9"	27'-11"
23'-0"	17'-3"	28'-9"
23'-8"	17'-9"	29'-7"
24'-4"	18'-3"	30'-5"





Drawing 2: Typical Hog Leg® Wall Brace Installation With Kicker

Brace Height	Brace Run	Brace Length	Kicker Height
16'-4"	12'-3"	20'-5"	3'-6 ⁵ / ₈ "
17'-0"	12'-9"	21'-3"	3'-8 ⁵ / ₈ "
17'-8"	13'-3"	22'-1"	3'-10 ³ / ₈ "
18'-4"	13'-9"	22'-11"	4'-0 ¹ / ₈ "
19'-0"	14'-3"	23'-9"	4'-1 ⁷ / ₈ "
19'-8"	14'-9"	24'-7"	4'-3 ⁵ / ₈ "
20'-4"	15'-3"	25'-5"	4'-5 ³ / ₈ "
21'-0"	15'-9"	26'-3"	4'-7 ¹ / ₈ "
21'-8"	16'-3"	27'-1"	4'-8 ⁷ / ₈ "
22'-4"	16'-9"	27'-11"	4'-10 ⁵ / ₈ "
23'-0"	17'-3"	28'-9"	5'-0 ³ / ₈ "
23'-8"	17'-9"	29'-7"	5'-2 ¹ / ₈ "
24'-4"	18'-3"	30'-5"	5'-3 ⁷ / ₈ "

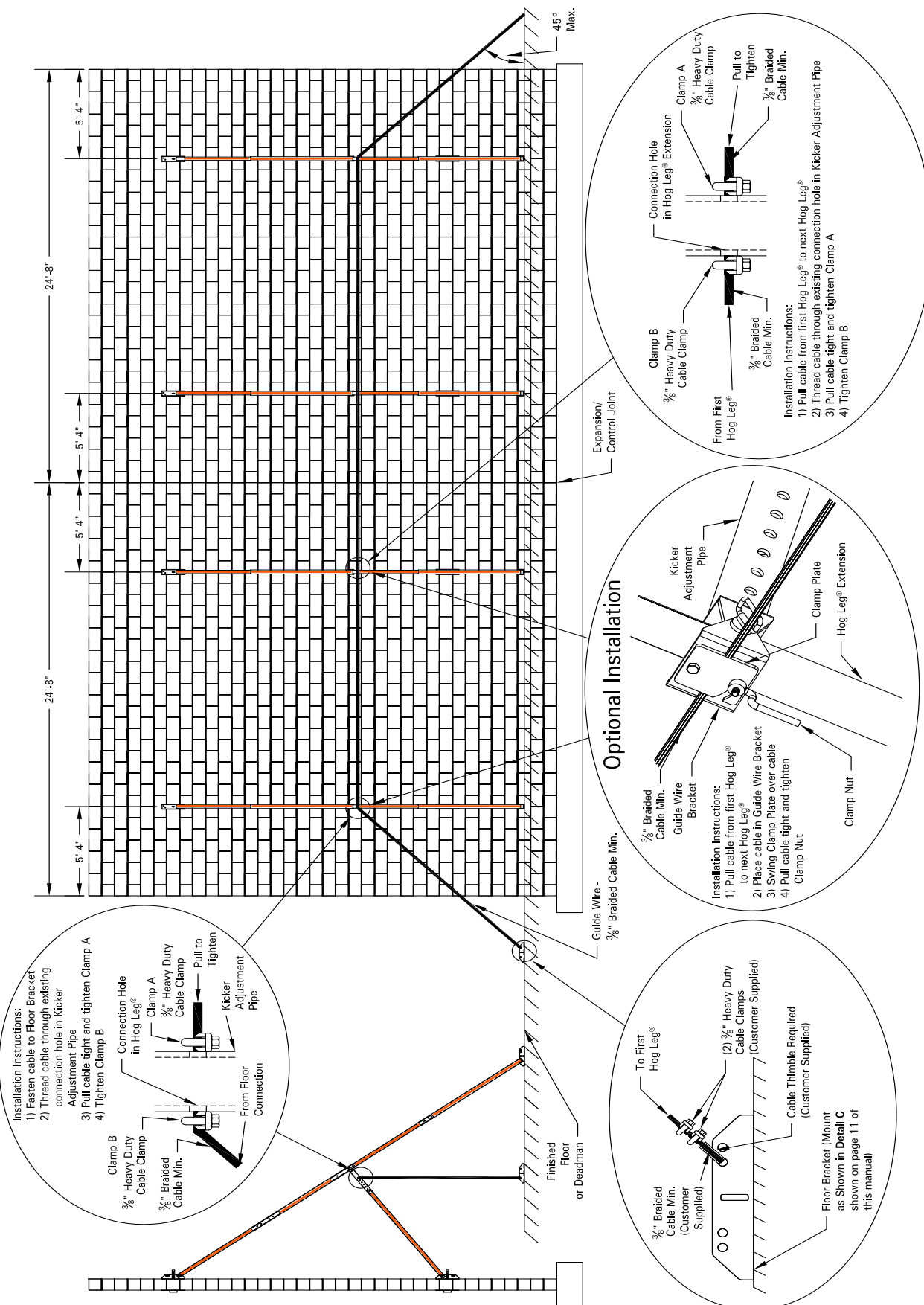
Brace Height	Brace Run	Brace Length	Kicker Height
25'-0"	18'-9"	31'-3"	5'-5 ⁵ / ₈ "
25'-8"	19'-9"	32'-1"	5'-7 ³ / ₈ "
26'-4"	20'-3"	32'-11"	5'-9 ¹ / ₈ "
27'-0"	20'-9"	33'-9"	5'-10 ⁷ / ₈ "
27'-8"	21'-3"	34'-7"	6'-0 ⁵ / ₈ "

Warning: For Brace Lengths longer than 30'-5" a Kicker and Guide Wires are required.

28'-4"	21'-3"	35'-5"	6'-2 ⁵ / ₈ "
29'-0"	21'-9"	36'-3"	6'-4 ³ / ₈ "
29'-8"	22'-3"	37'-1"	6'-6 ¹ / ₈ "
30'-4"	22'-9"	37'-11"	6'-7 ⁷ / ₈ "
31'-0"	23'-3"	38'-9"	6'-9 ⁵ / ₈ "



Hog Leg®
EZG Manufacturing
1-800-417-9272



Hog Leg®
EZG Manufacturing
1-800-417-9272

Drawing 4: Hog Leg® Wall Brace Installation Typical Brace Spacing and Guide Wire Installation

Warranty

Limited Warranty

The manufacturer warrants that products manufactured shall be free from defects in material and workmanship that develop under normal use for a period of one year on all products from the date of shipment. The foregoing shall be the exclusive remedy of the buyer and the exclusive liability of the manufacturer. Our warranty excludes normal replaceable wear items, i.e. gaskets, wear parts, seals, O-rings, belts, drive chains, clutches, etc. Any equipment, part or product which is furnished by the manufacturer but manufactured by another, bears only the warranty given by such other manufacturer. (Manufacturer agrees to furnish free of charge a written description of problem or cause.) Warranty is voided by product abuse, alterations, use of equipment in applications for which it was not intended, use of non-manufacturer parts, or failure to follow documented service instructions. The foregoing warranty is exclusive of all other warranties whether written or oral, expressed or implied. No warranty of merchantability or fitness for a particular purpose shall apply. The agents, dealers, and employees of Manufacturer are not authorized to make modifications to this warranty, or additional warranties binding on the Manufacturer. Therefore, additional statements, whether oral or written, do not constitute warranty and should not be relied upon.

The Manufacturer's sole responsibility for any breach of the foregoing warranty provisions, with respect to any product or part not conforming to the Warranty or the description herein contained, is at its option (a) to repair, replace, or refund such product or parts upon the prepaid return thereof to location designated specifically by the Manufacturer. Product returns not shipped prepaid will be refused (b) as an alternative to the foregoing modes of settlement the Manufacturer's dealer may repair defective units with reimbursement for expenses. A written description of problem or cause must accompany all warranty claims.

Except as set forth herein above and without limitation of the above, there are no warranties or other affirmation which extend beyond the description of the products on the fact here of, or as to operational efficiency, product reliability, or maintainability or compatibility with products furnished by others. In no event, whether as a result of breach of contract or warranty or alleged negligence, shall the Manufacturer, be liable for special or consequential damages including but not limited to: Loss of profits or revenue, loss of use of the product or any associated product, cost of capital, cost of substitute products, facilities or services or claims of customers. Manufacturer does not assume responsibility for any accident due to equipment modification.

No claim will be allowed for products lost or damaged in transit. Such claims should be filed with the carrier within fifteen days.

Effective July 20, 2005

EZG Manufacturing is the exclusive manufacturer of the patented **Grout Hog®** Grout Delivery System the **Mud Hog®** Hydraulic Mixing Station, the **Hog Trough®** mud pan, the **Hog Cart™**, the **Hog Slopper™**, the **Booger Hog®** Wall Scrubber, the **Hog Leg®** Wall Brace System, the **Hog Crusher™** Material Recycling System, and the **EZG MIXER®**.



Hog Leg®
EZG Manufacturing
1-800-417-9272

Fax Warranty Registration form to 740-962-2037
Submit on-line at www.ezgrout.com/warranty
or click on "Products" then "Warranty Cards".

Warranty Registration

Contact: _____

Company Name: _____

Address: _____

City: _____ State: _____ Zip: _____

Phone: _____ Fax: _____ Email: _____

Purchased From: _____

Purchased Date: _____ Serial No.: _____

Please complete this warranty card, and return via mail, fax or email, within 30 days of purchase to validate your manufacturer's warranty for all EZG Manufacturing products.

Warranty provisions of this machine are handled directly through the manufacturer.

EZG Manufacturing * 1833 N. Riverview Road, Malta, OH 45758 *

Fax: 740-962-2037 * Email: warranty@ezgrout.com

Please take a minute to fill out the survey below so that we can better serve our customers.

EZ Survey

1. Where did you first hear about EZG Manufacturing? (Check One)

Masonry Magazine Website Newsletter Referral Masonry Construction

Other: _____

2. What influenced you to buy? Quality Easy to use Price Other

3. Who is your Sales Representative?

4. Are you satisfied with the customer service you received? Yes No

Explain: _____

5. What other EZG Manufacturing products do you own?

6. Would you like to be featured in our Newsletter? Yes No

If yes, where can we reach you and what is the best time? _____

Comments: _____



Hog Leg®
EZG Manufacturing
1-800-417-9272

HOG LEG[®]

Wall Bracing

Installation Charts

Warning: This manual should be used as a reference for bracing, but not for final design. Before attempting to brace any wall, consult the latest edition of Standard Practice for Bracing Masonry Walls Under Construction, OSHA, or a local licensed Professional Engineer. The data within this manual was developed with the aid of professional engineers and is specifically developed for use with the Hog Leg system. EZG Manufacturing makes no implications for use with other systems and complies with the Standard Practice for Bracing Masonry Walls Under Construction under reference to C1.5 page 29. Although many scenarios are listed, your conditions may vary. If at any time you need assistance, please call EZ Grout at 800-417-9272.

Please note: the following charts references conditions that include but are not limited to:

- ❖ Walls that are braced are reinforced masonry walls within the Intermediate Period of construction. For bracing during the Initial Period, please reference the Standard Practice for Bracing Masonry Walls Under Construction or contact a licensed Professional Engineer familiar with local and national codes.
- ❖ A maximum wind speed of 40mph (industry standard for life safety requirements)
- ❖ A minimum of two (2) braces per 25 foot wall panel with properly installed braces placed at .2 times the wall length from each end.
- ❖ CMU with a minimum $f'm=1500$ psi
- ❖ Properly sized deadmen.

NOTE: EZG Manufacturing strongly recommends both low lift grouting as the wall is being laid up and embedded deadmen.





8" CMU Block

8" CMU Block



#4 Rebar

#5 Rebar

#6 Rebar

		Wall Height	Brace Height	Brace Run	Brace Length	Kicker Height	Linear Ft of Wall	w/ EXT Kit	Layout
		48" OC		14'-0"	10'-4"	7'-9"	12'-11"	-----	400 Feet
	16'-0"		10'-4"	7'-9"	12'-11"	-----	400 Feet	-----	No Kicker
	18'-0"		10'-4"	7'-9"	12'-11"	-----	400 Feet	-----	No Kicker
	20'-0"		12'-4"	9'-3"	15'-5"	-----	262.5 Feet	-----	No Kicker
32" OC		18'-0"	10'-4"	7'-9"	12'-11"	-----	400 Feet	-----	No Kicker
		20'-0"	10'-4"	7'-9"	12'-11"	-----	400 Feet	-----	No Kicker
		22'-0"	12'-4"	9'-3"	15'-5"	-----	262.5 Feet	-----	No Kicker
		24'-0"	14'-4"	10'-9"	17'-11"	-----	262.5 Feet	525 Feet	No Kicker
		26'-0"	16'-4"	12'-3"	20'-5"	-----	200 Feet	500 Feet	No Kicker
16" OC		20'-0"	10'-4"	7'-9"	12'-11"	-----	400 Feet	-----	No Kicker
		22'-0"	11'-0"	8'-3"	13'-9"	-----	262.5 Feet	525 Feet	No Kicker
		24'-0"	13'-0"	9'-9"	16'-3"	-----	262.5 Feet	525 Feet	No Kicker
		26'-0"	15'-0"	11'-3"	18'-9"	-----	262.5 Feet	525 Feet	No Kicker
		28'-0"	17'-0"	12'-9"	21'-3"	-----	200 Feet	400 Feet	No Kicker
		30'-0"	19'-0"	14'-3"	23'-9"	-----	200 Feet	400 Feet	No Kicker
48" OC		16'-0"	10'-4"	7'-9"	12'-11"	-----	400 Feet	-----	No Kicker
		20'-0"	10'-4"	7'-9"	12'-11"	-----	400 Feet	-----	No Kicker
		22'-0"	12'-4"	9'-3"	15'-5"	-----	262.5 Feet	525 Feet	No Kicker
		24'-0"	14'-4"	10'-9"	17'-11"	-----	262.5 Feet	525 Feet	No Kicker
		26'-0"	16'-4"	12'-3"	20'-5"	-----	200 Feet	400 Feet	No Kicker
32" OC		20'-0"	10'-4"	7'-9"	12'-11"	-----	400 Feet	-----	No Kicker
		22'-0"	11'-8"	8'-9"	14'-7"	-----	262.5 Feet	-----	No Kicker
		24'-0"	13'-8"	10'-3"	17'-1"	-----	262.5 Feet	525 Feet	No Kicker
		26'-0"	15'-8"	11'-9"	19'-7"	-----	200 Feet	500 Feet	No Kicker
		28'-0"	17'-8"	13'-3"	22'-1"	-----	200 Feet	400 Feet	No Kicker
16" OC		21'-0"	10'-4"	7'-9"	12'-11"	-----	400 Feet	-----	No Kicker
		23'-0"	11'-0"	8'-3"	13'-9"	-----	262.5 Feet	525 Feet	No Kicker
		25'-0"	13'-0"	9'-9"	16'-3"	-----	262.5 Feet	525 Feet	No Kicker
		27'-0"	15'-0"	11'-3"	18'-9"	-----	262.5 Feet	525 Feet	No Kicker
		29'-0"	17'-0"	12'-9"	21'-3"	-----	200 Feet	400 Feet	No Kicker
		31'-0"	19'-0"	14'-3"	23'-9"	4'-2"	125 Feet	400 Feet	w/Kicker
48" OC		18'-0"	10'-4"	7'-9"	12'-11"	-----	400 Feet	-----	No Kicker
		20'-0"	10'-4"	7'-9"	12'-11"	-----	400 Feet	-----	No Kicker
		24'-0"	13'-8"	10'-3"	17'-1"	-----	262.5 Feet	525 Feet	No Kicker
		26'-0"	15'-8"	11'-9"	19'-7"	-----	200 Feet	500 Feet	No Kicker
		28'-0"	17'-8"	13'-3"	22'-1"	-----	200 Feet	400 Feet	No Kicker
32" OC		20'-0"	11'-8"	8'-9"	14'-7"	-----	262.5 Feet	525 Feet	No Kicker
		22'-0"	11'-8"	8'-9"	14'-7"	-----	262.5 Feet	525 Feet	No Kicker
		24'-0"	13'-8"	10'-3"	17'-1"	-----	262.5 Feet	525 Feet	No Kicker
		28'-0"	17'-8"	13'-3"	22'-1"	-----	200 Feet	400 Feet	No Kicker
		30'-0"	19'-8"	14'-9"	24'-7"	-----	200 Feet	400 Feet	No Kicker
16" OC		22'-0"	10'-4"	7'-9"	12'-11"	-----	400 Feet	-----	No Kicker
		24'-0"	12'-4"	9'-3"	15'-5"	-----	262.5 Feet	525 Feet	No Kicker
		26'-0"	14'-4"	10'-9"	17'-11"	-----	262.5 Feet	525 Feet	No Kicker
		28'-0"	16'-4"	12'-3"	20'-5"	-----	200 Feet	400 Feet	No Kicker
		30'-0"	18'-4"	13'-9"	22'-11"	-----	200 Feet	400 Feet	No Kicker
		32'-0"	20'-4"	15'-3"	25'-5"	4'-6"	112.5 Feet	400 Feet	w/Kicker

For use with the EZG Manufacturing HOG LEG® Wall Bracing System ONLY

For use with the EZG Manufacturing HOG LEG® Wall Bracing System ONLY



12" CMU BLOCK



12" CMU BLOCK



		Wall Height	Brace Height	Brace Run	Brace Length	Kicker Height	Linear Ft of Wall	w/ EXT Kit	Layout
#4 Rebar	48" OC	19'-0"	15'-0"	11'-3"	18'-9"	-----	262.5 Feet	525 Feet	No Kicker
		21'-0"	15'-0"	11'-3"	18'-9"	-----	262.5 Feet	525 Feet	No Kicker
		25'-0"	15'-0"	11'-3"	18'-9"	-----	262.5 Feet	525 Feet	No Kicker
		27'-0"	17'-0"	12'-9"	21'-3"	-----	200 Feet	400 Feet	No Kicker
	32" OC	22'-0"	13'-8"	10'-3"	17'-1"	-----	262.5 Feet	525 Feet	No Kicker
		24'-0"	13'-8"	10'-3"	17'-1"	-----	262.5 Feet	525 Feet	No Kicker
		30'-0"	17'-8"	13'-3"	22'-1"	-----	200 Feet	400 Feet	No Kicker
		32'-0"	19'-8"	14'-9"	24'-7"	4'-4"	125 Feet	225 Feet	w/Kicker
		34'-0"	21'-8"	16'-3"	27'-1"	4'-9"	100 Feet	225 Feet	w/Guide
	16" OC	28'-0"	15'-0"	11'-3"	18'-9"	-----	262.5 Feet	525 Feet	No Kicker
		30'-0"	15'-0"	11'-3"	18'-9"	-----	262.5 Feet	525 Feet	No Kicker
		32'-0"	17'-0"	12'-9"	21'-3"	-----	200 Feet	400 Feet	No Kicker
		34'-0"	19'-0"	14'-3"	23'-9"	4'-2"	125 Feet	225 Feet	w/Kicker
		38'-0"	23'-0"	17'-3"	28'-9"	5'-1"	100 Feet	200 Feet	w/Guide
		42'-0"	27'-0"	20'-3"	33'-9"	5'-11"	87.5 Feet	162.5 Feet	w/Guide
	#5 Rebar	48" OC	21'-0"	10'-4"	7'-9"	12'-11"	-----	400 Feet	-----
23'-0"			10'-4"	7'-9"	12'-11"	-----	400 Feet	-----	No Kicker
27'-0"			14'-4"	10'-9"	17'-11"	-----	262.5 Feet	525 Feet	No Kicker
31'-0"			18'-4"	13'-9"	22'-11"	4'-0"	125 Feet	225 Feet	w/Kicker
33'-0"			20'-4"	15'-3"	25'-5"	4'-6"	112.5 Feet	225 Feet	w/Guide
32" OC		26'-0"	14'-4"	10'-9"	17'-11"	-----	262.5 Feet	525 Feet	No Kicker
		28'-0"	14'-4"	10'-9"	17'-11"	-----	262.5 Feet	525 Feet	No Kicker
		30'-0"	18'-4"	13'-9"	22'-11"	-----	200 Feet	400 Feet	No Kicker
		32'-0"	18'-4"	13'-9"	22'-11"	4'-0"	125 Feet	225 Feet	w/Kicker
		34'-0"	20'-4"	15'-3"	25'-5"	4'-6"	112.5 Feet	225 Feet	w/Guide
		38'-0"	24'-4"	18'-3"	30'-5"	5'-4"	100 Feet	200 Feet	w/Guide
16" OC		30'-0"	16'-4"	12'-3"	20'-5"	-----	200 Feet	400 Feet	No Kicker
		32'-0"	16'-4"	12'-3"	20'-5"	-----	200 Feet	400 Feet	No Kicker
		34'-0"	18'-4"	13'-9"	22'-11"	4'-0"	125 Feet	225 Feet	w/Kicker
		36'-0"	20'-4"	15'-3"	25'-5"	4'-6"	112.5 Feet	225 Feet	w/Guide
		40'-0"	24'-4"	18'-3"	30'-5"	5'-4"	100 Feet	200 Feet	w/Guide
		44'-0"	28'-4"	21'-3"	35'-5"	6'-3"	87.5 Feet	162.5 Feet	w/Guide
#6 Rebar		48" OC	26'-0"	14'-4"	10'-9"	17'-11"	-----	262.5 Feet	525 Feet
	30'-0"		16'-4"	12'-3"	20'-5"	-----	200 Feet	400 Feet	No Kicker
	32'-0"		18'-4"	13'-9"	22'-11"	4'-0"	125 Feet	225 Feet	w/Kicker
	34'-0"		20'-4"	15'-3"	25'-5"	4'-6"	112.5 Feet	225 Feet	w/Guide
	36'-0"		22'-4"	16'-9"	27'-11"	4'-11"	100 Feet	225 Feet	w/Guide
	38'-0"		24'-4"	18'-3"	30'-5"	5'-4"	100 Feet	200 Feet	w/Guide
	32" OC	28'-0"	15'-8"	11'-9"	19'-7"	-----	200 Feet	500 Feet	No Kicker
		32'-0"	17'-8"	13'-3"	22'-1"	3'-11"	125 Feet	225 Feet	w/Kicker
		34'-0"	19'-8"	14'-9"	24'-7"	4'-4"	125 Feet	225 Feet	w/Kicker
		36'-0"	21'-8"	16'-3"	27'-1"	4'-9"	100 Feet	225 Feet	w/Guide
		38'-0"	23'-8"	17'-9"	29'-7"	5'-2"	100 Feet	200 Feet	w/Guide
		40'-0"	25'-8"	19'-3"	32'-1"	5'-8"	87.5 Feet	200 Feet	w/Guide
	16" OC	32'-0"	15'-8"	11'-9"	19'-7"	-----	200 Feet	500 Feet	No Kicker
		34'-0"	17'-8"	13'-3"	22'-1"	3'-11"	125 Feet	225 Feet	w/Kicker
		36'-0"	19'-8"	14'-9"	24'-7"	4'-4"	125 Feet	225 Feet	w/Guide
		40'-0"	23'-8"	17'-9"	29'-7"	5'-2"	100 Feet	200 Feet	w/Guide
		44'-0"	27'-8"	20'-9"	34'-7"	6'-1"	87.5 Feet	162.5 Feet	w/Guide
		46'-0"	29'-8"	22'-3"	37'-1"	6'-6"	87.5 Feet	162.5 Feet	w/Guide

For use with the EZG Manufacturing HOG LEG® Wall Bracing System ONLY

For use with the EZG Manufacturing HOG LEG® Wall Bracing System ONLY



For use with the EZG Manufacturing HOG LEG® Wall Bracing System ONLY

12" CMU BLOCK

#7 Rebar

#8 Rebar

48" OC	Wall Height	Brace Height	Brace Run	Brace Length	Kicker Height	Linear Ft of Wall	w/ EXT Kit	Layout
	28'-0"	15'-8"	11'-9"	19'-7"	-----	200 Feet	500 Feet	No Kicker
30'-0"	15'-8"	11'-9"	19'-7"	-----	200 Feet	500 Feet	No Kicker	
32'-0"	17'-8"	13'-3"	22'-1"	3'-11"	125 Feet	225 Feet	w/Kicker	
34'-0"	19'-8"	14'-9"	24'-7"	4'-4"	125 Feet	225 Feet	w/Kicker	
36'-0"	21'-8"	16'-3"	27'-1"	4'-9"	100 Feet	225 Feet	w/Guide	
38'-0"	23'-8"	17'-9"	29'-7"	5'-2"	100 Feet	200 Feet	w/Guide	
40'-0"	25'-8"	19'-3"	32'-1"	5'-8"	87.5 Feet	200 Feet	w/Guide	
32" OC	Wall Height	Brace Height	Brace Run	Brace Length	Kicker Height	Linear Ft of Wall	w/ EXT Kit	Layout
	29'-0"	15'-8"	11'-9"	19'-7"	-----	200 Feet	500 Feet	No Kicker
	33'-0"	17'-8"	13'-3"	22'-1"	3'-11"	125 Feet	225 Feet	w/Kicker
	35'-0"	19'-8"	14'-9"	24'-7"	4'-4"	125 Feet	225 Feet	w/Guide
	37'-0"	21'-8"	16'-3"	27'-1"	4'-9"	100 Feet	225 Feet	w/Guide
	39'-0"	23'-8"	17'-9"	29'-7"	5'-2"	100 Feet	200 Feet	w/Guide
	41'-0"	25'-8"	19'-3"	32'-1"	5'-8"	87.5 Feet	200 Feet	w/Guide
	43'-0"	27'-8"	20'-9"	34'-7"	6'-1"	87.5 Feet	162.5 Feet	w/Guide
16" OC	Wall Height	Brace Height	Brace Run	Brace Length	Kicker Height	Linear Ft of Wall	w/ EXT Kit	Layout
	34'-0"	17'-0"	12'-9"	21'-3"	3'-9"	125 Feet	225 Feet	w/Kicker
	36'-0"	19'-0"	14'-3"	23'-9"	4'-2"	125 Feet	225 Feet	w/Guide
	38'-0"	21'-0"	15'-9"	26'-3"	4'-7"	100 Feet	225 Feet	w/Guide
	40'-0"	23'-0"	17'-3"	28'-9"	5'-1"	100 Feet	200 Feet	w/Guide
	42'-0"	25'-0"	18'-9"	31'-3"	5'-6"	87.5 Feet	200 Feet	w/Guide
	44'-0"	27'-0"	20'-3"	33'-9"	5'-11"	87.5 Feet	162.5 Feet	w/Guide
	46'-0"	29'-0"	21'-9"	36'-3"	6'-5"	87.5 Feet	162.5 Feet	w/Guide
	48'-0"	31'-0"	23'-3"	38'-9"	6'-10"	62.5 Feet	150 Feet	w/Guide
48" OC	Wall Height	Brace Height	Brace Run	Brace Length	Kicker Height	Linear Ft of Wall	w/ EXT Kit	Layout
	28'-0"	15'-0"	11'-3"	18'-9"	-----	262.5 Feet	500 Feet	No Kicker
	32'-0"	17'-0"	12'-9"	21'-3"	-----	200 Feet	400 Feet	No Kicker
	34'-0"	19'-0"	14'-3"	23'-9"	4'-2"	125 Feet	225 Feet	w/Kicker
	36'-0"	21'-0"	15'-9"	26'-3"	4'-7"	100 Feet	262.5 Feet	w/Guide
	38'-0"	23'-0"	17'-3"	28'-9"	5'-1"	100 Feet	200 Feet	w/Guide
	40'-0"	25'-0"	18'-9"	31'-3"	5'-6"	87.5 Feet	200 Feet	w/Guide
42'-0"	27'-0"	20'-3"	33'-9"	5'-11"	87.5 Feet	162.5 Feet	w/Guide	
32" OC	Wall Height	Brace Height	Brace Run	Brace Length	Kicker Height	Linear Ft of Wall	w/ EXT Kit	Layout
	30'-0"	16'-4"	12'-3"	20'-5"	-----	200 Feet	400 Feet	No Kicker
	34'-0"	18'-4"	13'-9"	22'-11"	4'-0"	125 Feet	225 Feet	w/Kicker
	36'-0"	20'-4"	15'-3"	25'-5"	4'-6"	112.5 Feet	225 Feet	w/Guide
	38'-0"	22'-4"	16'-9"	27'-11"	4'-11"	100 Feet	225 Feet	w/Guide
	40'-0"	24'-4"	18'-3"	30'-5"	5'-4"	100 Feet	200 Feet	w/Guide
	42'-0"	26'-4"	19'-9"	32'-11"	5'-10"	87.5 Feet	200 Feet	w/Guide
44'-0"	28'-4"	21'-3"	35'-5"	6'-3"	87.5 Feet	162.5 Feet	w/Guide	
16" OC	Wall Height	Brace Height	Brace Run	Brace Length	Kicker Height	Linear Ft of Wall	w/ EXT Kit	Layout
	34'-0"	17'-0"	12'-9"	21'-3"	-----	200 Feet	400 Feet	No Kicker
	36'-0"	19'-0"	14'-3"	23'-9"	4'-2"	125 Feet	262.5 Feet	w/Kicker
	38'-0"	21'-0"	15'-9"	26'-3"	4'-7"	100 Feet	262.5 Feet	w/Guide
	40'-0"	23'-0"	17'-3"	28'-9"	5'-1"	100 Feet	262.5 Feet	w/Guide
	42'-0"	25'-0"	18'-9"	31'-3"	5'-6"	87.5 Feet	200 Feet	w/Guide
	44'-0"	27'-0"	20'-3"	33'-9"	5'-11"	87.5 Feet	162.5 Feet	w/Guide
	46'-0"	29'-0"	21'-9"	36'-3"	6'-5"	87.5 Feet	162.5 Feet	w/Guide
	48'-0"	31'-0"	23'-3"	38'-9"	6'-10"	62.5 Feet	150 Feet	w/Guide

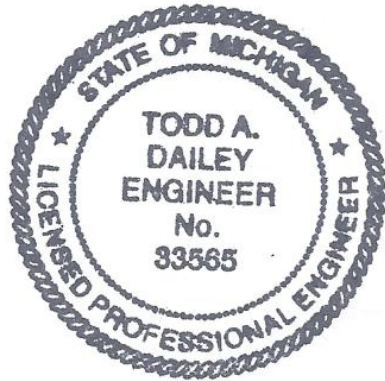


For use with the EZG Manufacturing HOG LEG® Wall Bracing System ONLY

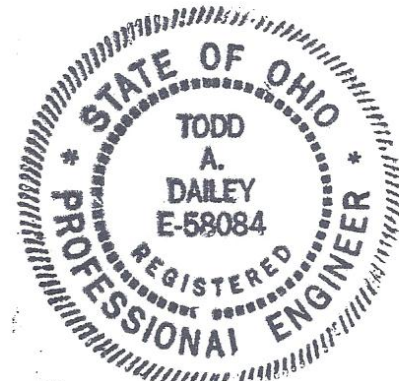
12" CMU BLOCK

Copyright © 2014 by EZG Manufacturing

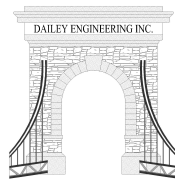
All rights reserved. No part of this document may be reproduced or transmitted in any form or by any means, electronic, mechanical, photocopying, recording, or otherwise, without prior written permission of EZG Manufacturing or EZ Grout Corporation.



Todd Dailey



Todd Dailey



This manual was developed with the aid of Dailey Engineering Inc. located in Onsted, MI.



Hog Leg®
EZG Manufacturing
1-800-417-9272

Rev. No. 014

EZG Manufacturing
1833 N. Riverview Road
Malta, Ohio 45758 (740) 749-5849 or
1-800-417-9272 Fax (740) 962-2037