



Bennu Parts and Service, Inc.
 651 E. Devon Ave.
 Elk Grove Village, Illinois 60007 USA
 Office: 847-595-8444 | Fax: 847-595-8554
 www.bennuparts.com | www.castleandson.com

Bennu Hydraulic Mast-Climbing Scaffolding Platform MPU Series #3

MPU - Modular Power Unit Main Features

Platform dimensions: 114 ft. x 7 ft. x 30 ft. (48 in. up to 114 ft.)

Setup length: (2) lifting modules (48")
 (1) power module (30" or 48")
 (1) access module (30" or 48")

Elevation height: 0 - 30 ft. = Free standing; Collapsed height: 55 inches
 30 ft. - 100 ft. = Wall tie every 15 ft.
 300 ft. maximum height (see manual)

Shipping weight: 8,110 lbs with standard accessories
 Load capacity: High speed: 12,000 lbs; Low speed: 20,000 lbs
 Elevation speeds: High speed: up to 10 ft./min.; Low speed: up to 5 ft./min.
 Engine: 13HP GX 390K1 Honda engine, electric start, oil alert

Details

Guard rails:

- 1. (3) 48" adj. guard rails
- 2. (2) 30" adj. guard rails
- 3. (2) mast toe guards
- (2) mason plank guardrails (not shown)

Accessories:

- 4. (1) access module
- 5. (1) foldable access ladder with built-in rest-platform and guard rails
- 6. (1) ladder access door

Base:

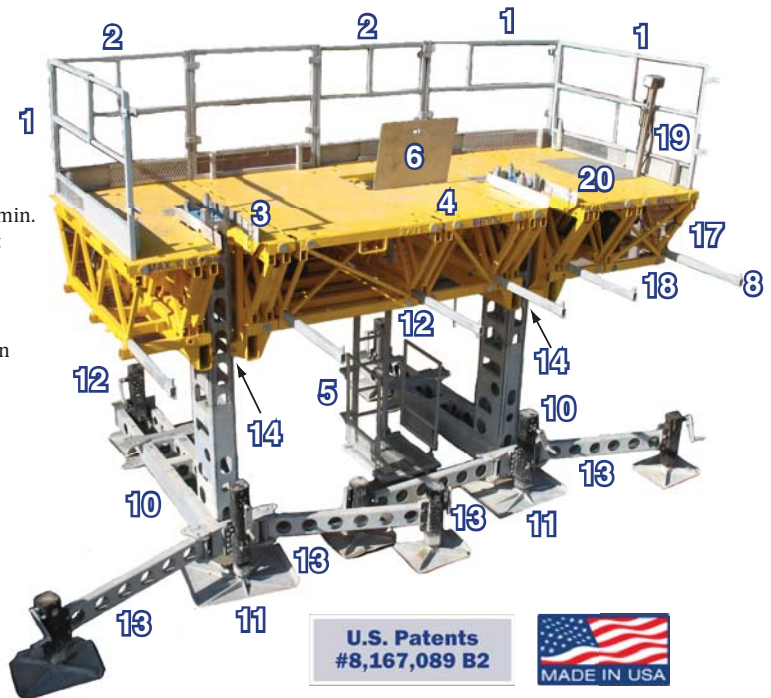
- 10. (2) independent bases with starter 49" mast sections
- 11. (2) high capacity (160,000 lbs) front jacks and main pads
- 12. (2) high capacity (160,000 lbs) retractable rear jacks and standard pads
- 13. (4) stabilizer arms with jacks and standard pads

Outriggers:

- 8. (6) 8 ft. outriggers

Lifting system:

- 14. (2) climbing wheels



U.S. Patents
 #8,167,089 E2



MPU - Modular Power Unit Capacity, per unit

CAPACITY		INSERT																
CANTILEVER	LENGTH	0	5	9	13	17	21	25	29	33	37	41	45	49	53	57	61	65
	0	20,000	20,000	20,000	20,000	20,000	20,000	20,000	19,800	19,200	18,500	17,800	17,200	16,500	15,800	13,400	12,600	11,800
4	20,000	20,000	20,000	20,000	19,800	19,200	18,500	17,800	17,200	16,500	15,800	15,100	14,500	13,800	11,000	10,200	9,400	
8	N.A.	20,000	20,000	19,200	18,500	17,800	17,200	16,500	15,800	15,100	14,500	13,800	13,100	12,500	9,400	8,600	7,800	
12	N.A.	N.A.	N.A.	17,800	17,200	16,500	15,800	15,100	14,500	13,800	13,100	12,500	11,800	11,100	10,500	7,000	6,200	
16	N.A.	N.A.	N.A.	N.A.	15,800	15,100	14,500	13,800	13,100	12,500	11,800	11,100	10,500	9,800	9,100	8,500	4,600	
20	N.A.	N.A.	N.A.	N.A.	N.A.	13,800	13,100	12,500	11,800	11,100	10,500	9,800	9,100	8,500	7,800	7,100	6,500	

CAPACITY		INSERT																
B E A R I N G	LENGTH	0	5	9	13	17	21	25	29	33	37	41	45	49	53	57	61	65
	0	20,000	20,000	20,000	20,000	20,000	20,000	20,000	18,800	19,200	18,500	17,800	17,200	16,500	15,800	15,100	14,500	13,800
12	20,000	20,000	20,000	20,000	20,000	20,000	18,500	17,800	17,200	16,500	15,800	15,100	14,500	13,800	13,100	12,500	11,800	11,100
16	N.A.	20,000	20,000	20,000	18,800	18,200	17,500	16,500	15,800	15,100	14,500	13,800	13,100	12,500	11,800	11,100	10,500	
20	N.A.	20,000	20,000	20,000	18,500	17,800	17,200	15,800	15,100	14,500	13,800	13,100	12,500	11,800	11,100	10,500	9,800	
24	N.A.	N.A.	20,000	18,800	18,200	17,500	16,800	15,100	14,500	13,800	13,100	12,500	11,800	11,100	10,500	9,800	9,100	
28	N.A.	N.A.	20,000	18,500	17,800	17,200	16,500	14,500	13,800	13,100	12,500	11,800	11,100	10,500	9,800	9,100	8,500	
32	N.A.	N.A.	N.A.	18,200	17,500	16,800	16,200	13,800	13,100	12,500	11,800	11,100	10,500	9,800	9,100	8,500	7,800	
36	N.A.	N.A.	N.A.	17,800	17,200	16,500	15,800	13,100	12,500	11,800	11,100	10,500	9,800	9,100	8,500	7,800	7,100	
40	N.A.	N.A.	N.A.	17,500	16,800	16,200	15,500	12,500	11,800	11,100	10,500	9,800	9,100	8,500	7,800	7,100	6,500	
44	N.A.	N.A.	N.A.	17,200	16,500	15,800	15,200	11,800	11,100	10,500	9,800	9,100	8,500	7,800	7,100	6,500	5,800	
48	N.A.	N.A.	N.A.	16,800	16,200	15,500	14,800	11,100	10,500	9,800	9,100	8,500	7,800	7,100	6,500	5,800	5,100	
52	N.A.	N.A.	N.A.	16,500	15,800	15,200	14,500	10,500	9,800	9,100	8,500	7,800	7,100	6,500	5,800	5,100	4,500	